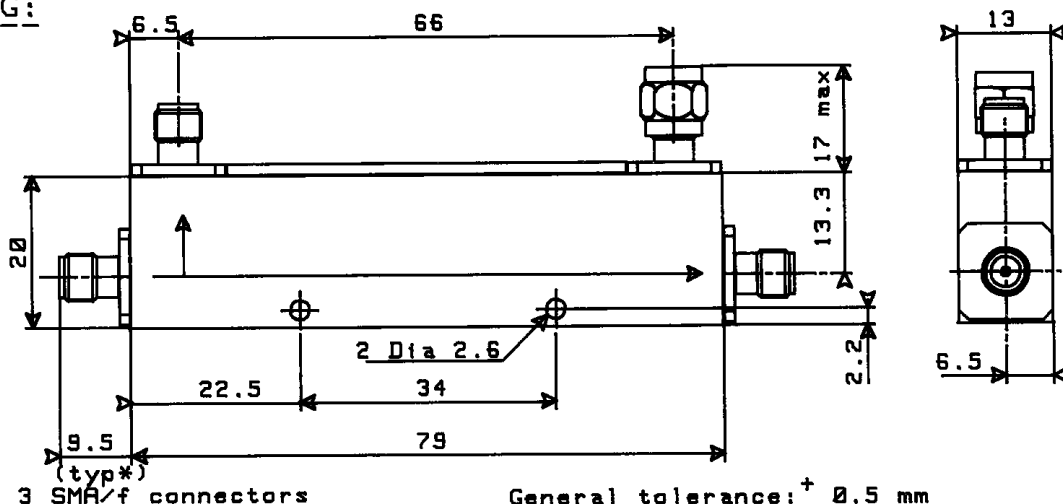




TITLE 20 dB 0.9 - 2.1 GHz DIRECTIONAL COUPLER

LTR. **C**

DRAWING:



ELECTRICAL CHARACTERISTICS:

FREQUENCY RANGE	: 0.9 - 2.1 GHz
IMPEDANCE	: 50 Ohms
COUPLING (*)	: 20 dB ± 0.8 dB
FREQUENCY SENSITIVITY	: ± 0.3 dB
DIRECTIVITY	: 22 dB mini
INSERTION LOSS	: 0.4 dB max.
V.S.W.R.	: 1.15 max.
AVERAGE POWER	: 50 W CW at 25°C
PEAK POWER	: 3 kW (1µS, 1%) at 25°C

MECHANICAL CHARACTERISTICS:

CONNECTORS	: SMA female per MIL C 39012
TERMINATION (on isolated port)	: 50 Ω 1 W
MAXIMUM WEIGHT	: 65 g

ENVIRONMENTAL CHARACTERISTICS:

OPERATING TEMPERATURE RANGE	: - 25°C + 85°C
STORAGE TEMPERATURE RANGE	: - 40°C + 100°C

(*) Frequency sensitivity is included in coupling.

PEN CAT	QUALITY DAI <i>B</i>	NAME K. LUCIEN	LTR			
			C	Nominal coupling -> coupling	12/10/90	K.I
PAGE 1 1	DATE 10/06/88	NAME K. LUCIEN	B	New issue	06/07/90	K.I
			REVISIONS		DATE	APP.